

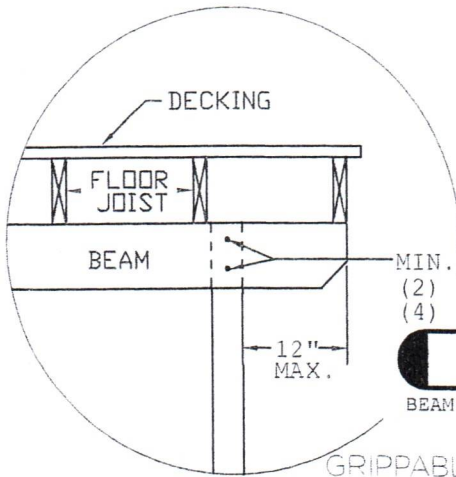
REQUIRED INFORMATION

ALL  SEEN BELOW

SPECIES OF LUMBER

HEIGHT OF DECK ABOVE GRADE

**DECK CANNOT BE ATTACHED TO A CANTILEVER**



MIN. POST TO BEAM CONNECTION:  
 (2) 1/2" THROUGH BOLTS OR  
 (4) STAGGERED LAG SCREWS

IN.  
 BEAM CANTILEVER

CAN'T PASS A 4" SPHERE

GUARD RAIL  
 36" MIN

GRIPPABLE HANDRAIL  
 CAN'T PASS A 4-3/8" SPHERE

CAN'S PASS A 6" SPHERE

34"-38"  
 HANDRAIL

7-3/4" RISE MAX.

10" MIN

FLOOR JOIST  X @  O.C.  
 FLOOR JOIST SPAN

(2')  24" IN. SPAN MAX.  
 MAX. JOIST SPAN BETWEEN BEARING

X X  
 BEAM- NUMBER SIZE LENGTH

6 X 6 MIN.  
 POST SIZE

IN.  
 # OF & FOOTING DIM.

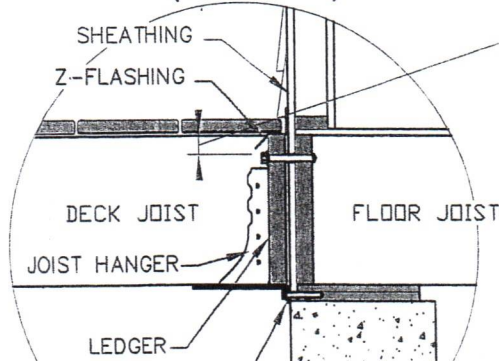
POST BASE ANCHOR WITH 1" STANDOFF

42" DEEP

3' LANDING MIN.

DISTANCE BETWEEN FOOTINGS  FT.  IN.

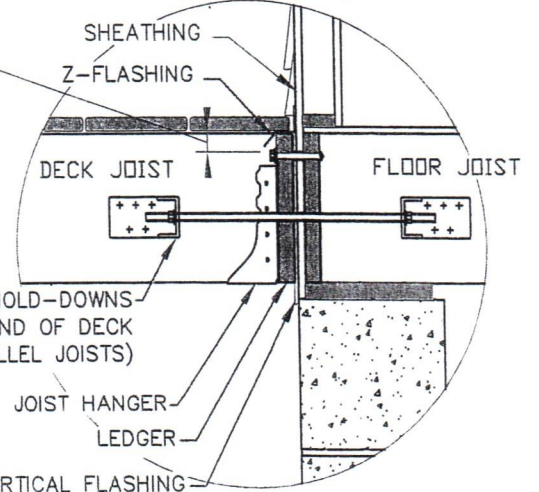
### DECK ATTACHMENT (OPTION 1)



MIN (4) 750# HOLD-DOWNS  
 (1) WITHIN 24" OF EACH END OF THE LEDGER W/ MIN 3" PENETRATION 1/2" DIAMETER LAG

1/2" BOLTS 16" O.C. SPANS LESS THAN 10'  
 1/2" BOLTS 12" O.C. SPANS 10' - 15'  
 2" MIN FROM TOP AND BOTTOM

### DECK ATTACHMENT (OPTION 2)



MIN (2) 1,500 LBS HOLD-DOWNS WITHIN 24" OF EACH END OF DECK (FOR PARALLEL JOISTS)